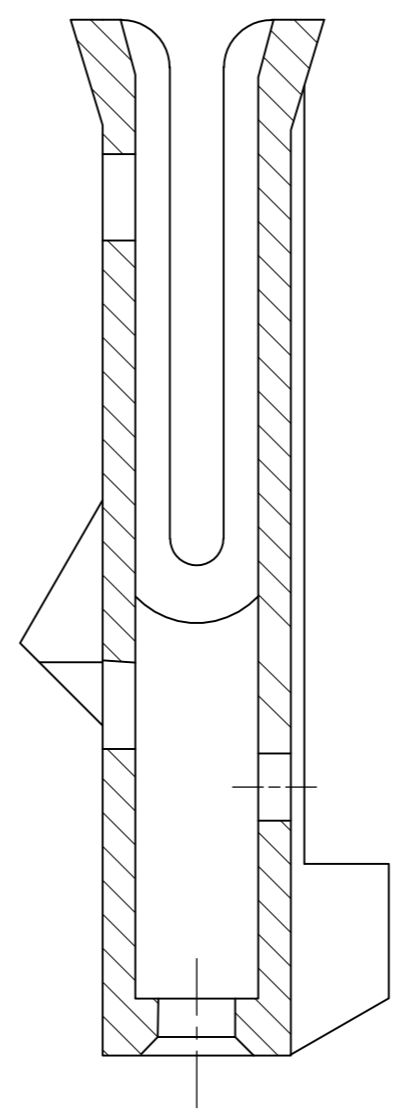
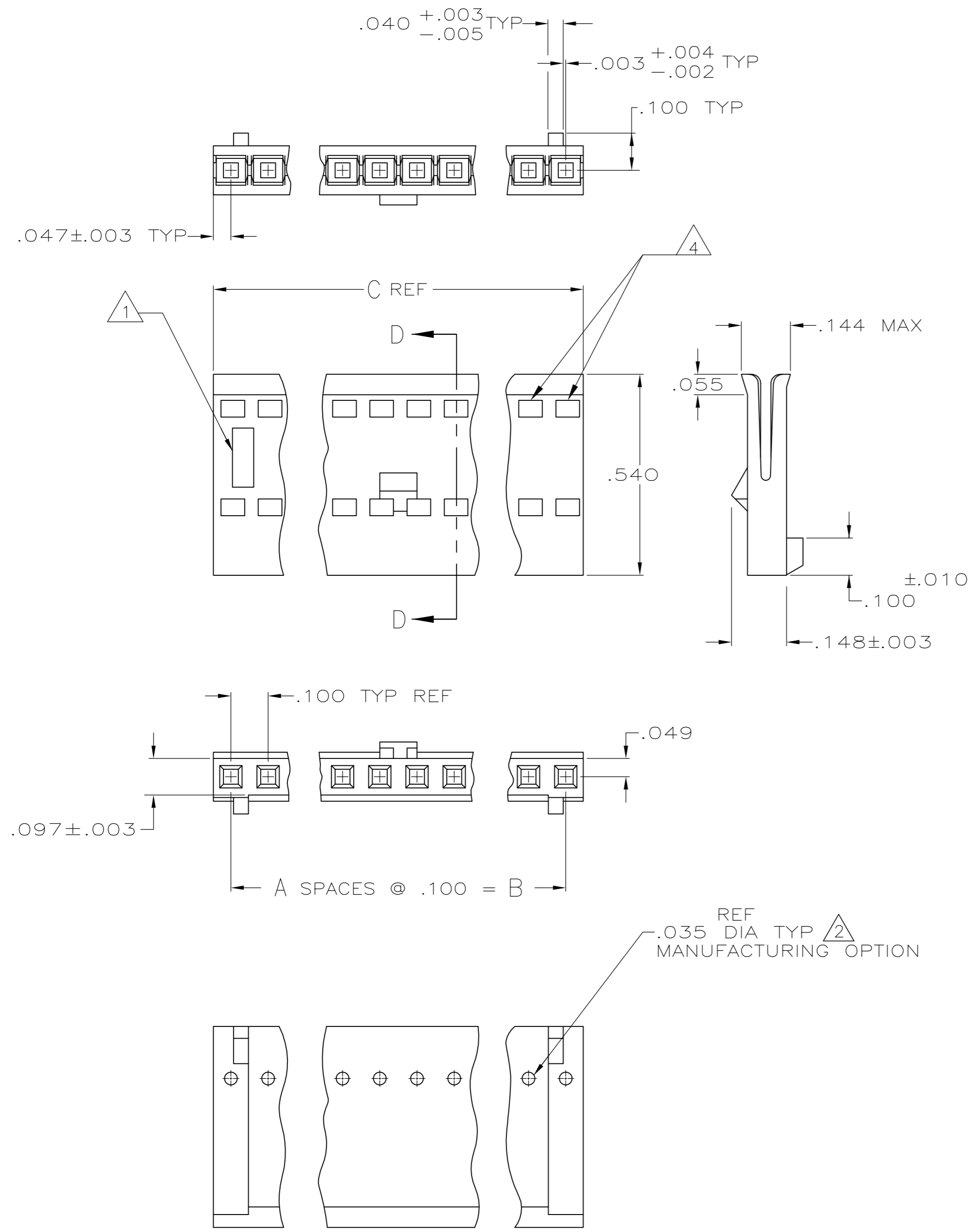


THIS DRAWING IS UNPUBLISHED. RELEASED FOR PUBLICATION
 © COPYRIGHT - By - ALL RIGHTS RESERVED.

LOC	DIST	REVISIONS					
GP	00	P	LTR	DESCRIPTION	DATE	DWN	APVD
		S		REVISED PER ECO-11-017188	06DEC2011	CJV	CWR



- 1 AMP TRADEMARK AND MOLD CAVITY IDENTIFICATION LOCATED AT EITHER END OF THE HOUSING IN APPROXIMATE AREA SHOWN.
- 2 THIS HOLE IS FOR MOLDING PURPOSES ONLY AND MAY BE FLASHED OVER.
- 3 OBSOLETE PARTS: OBSOLETE CIS STREAMLINING PER D.RENAUD/D.SINISI.
- 4 WINDOWS MAY OR MAY NOT BE PRESENT ON THIS END OF THE HOUSING.

OBSOLETE	2.494	2.400	24	25	2-487769-3
	2.394	2.300	23	24	2-487769-2
OBSOLETE	2.294	2.200	22	23	2-487769-1
	2.194	2.100	21	22	2-487769-0
OBSOLETE	2.094	2.000	20	21	1-487769-9
	1.994	1.900	19	20	1-487769-8
3 OBSOLETE	1.894	1.800	18	19	1-487769-7
OBSOLETE	1.794	1.700	17	18	1-487769-6
OBSOLETE	1.694	1.600	16	17	1-487769-5
	1.594	1.500	15	16	1-487769-4
	1.494	1.400	14	15	1-487769-3
	1.394	1.300	13	14	1-487769-2
	1.294	1.200	12	13	1-487769-1
	1.194	1.100	11	12	1-487769-0
	1.094	1.000	10	11	487769-9
	.994	.900	9	10	487769-8
	.894	.800	8	9	487769-7
	.794	.700	7	8	487769-6
	.694	.600	6	7	487769-5
	.594	.500	5	6	487769-4
	.494	.400	4	5	487769-3
	.394	.300	3	4	487769-2
	.294	.200	2	3	487769-1
	C	B	A	NO OF POSNS	PART NO

THIS DRAWING IS A CONTROLLED DOCUMENT. DWN D. HUFFMAN 11-17-86
 CHK D.R. WORTHINGTON 2-16-87
 APVD - NAME
 PRODUCT SPEC 108-9024
 APPLICATION SPEC 114-16015
 MATERIAL THERMOPLASTIC, FINISH -
 WEIGHT -
 CUSTOMER DRAWING

TE TE Connectivity
 HOUSING, RECEPTACLE, DETENT, POLARIZED, FFC
 SIZE A2 CAGE CODE 00779 DRAWING NO C=487769 RESTRICTED TO -
 SCALE 4:1 SHEET 1 of 1 REV S